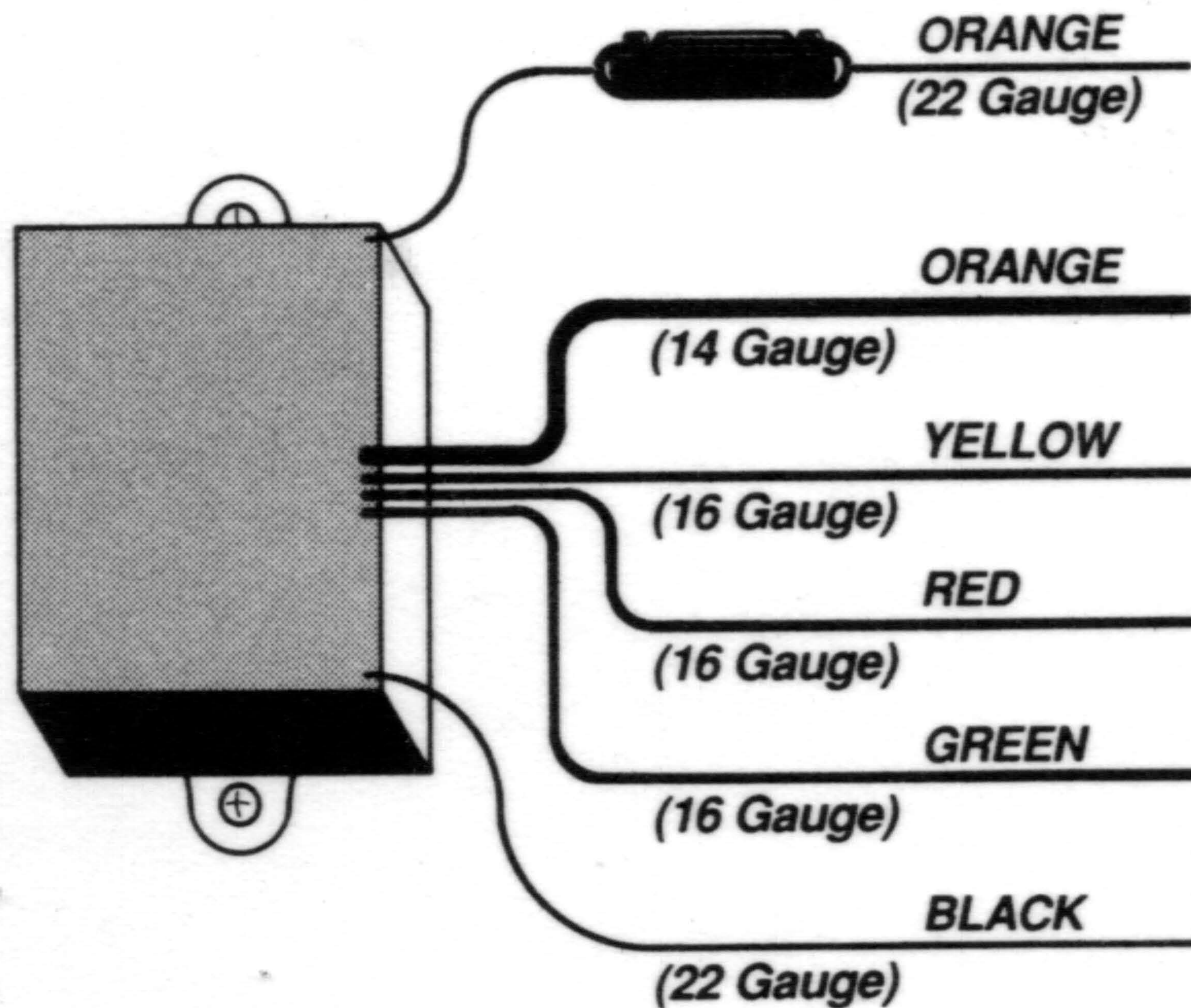


BENNETT INSTALLATION INSTRUCTIONS

---Always Connect The Ground Wire First---



Connect To:

Ignition switch or any accessory which turns on with ignition.

Connect To:

Fused (20 amp) 12 Volt source.

Connect To:

Yellow wire in trim tab harness.

Connect To:

Red wire in trim tab harness.

Connect To:

Green wire in trim tab harness.

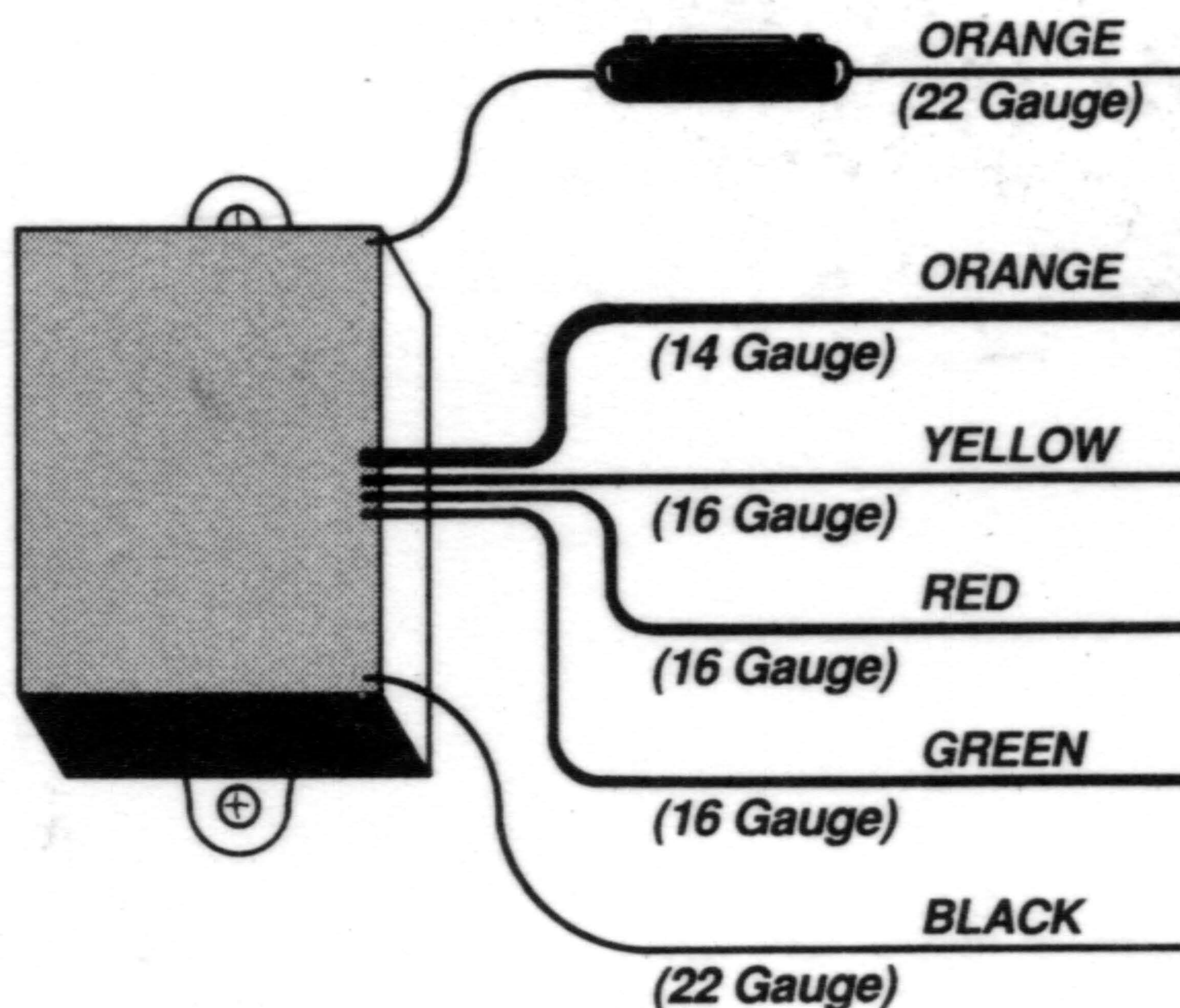
Connect To:

Ground.

The 14 gauge orange wire and the 16 gauge yellow, red, and green wires may be connected directly to the control switch. If the 14 gauge orange wire is spliced into your trim tab wire harness, it **MUST** be spliced into the wire between the control switch and the fuse.

BOAT LEVELER INSTA-TRIM® INSTRUCTIONS

---Always Connect The Ground Wire First---



Connect To:

Ignition switch or any accessory which turns on with ignition.

Connect To:

Fused (20 amp) 12 Volt source.

Connect To:

Yellow wire in trim tab harness.

Connect To:

Green wire in trim tab harness.

Connect To:

White wire in trim tab harness.

Connect To:

Ground.