

## Flexible Engine Mountings



R & D Marine has developed a comprehensive range of fail safe competitively priced Engine Mountings to fit all major installations.

Shear mountings are available where good isolation is required and compression mounts where there is a restriction on the available space.

Installation is made as quick and easy as possible with slotted holes and height adjusting studs to simplify alignment.

Products are available ex-stock and worldwide through our distribution network.

- Capacity 30 - 2000 lbs per mount
- Good vibration isolation
- Fail safe design
- Will withstand roll over test
- Competitively priced
- Wide range of stock
- Available in standard sizes
- Accepts propeller thrust
- Pre-loaded
- Slotted holes to assist alignment
- Height adjusting to simplify alignment
- Fast installation time
- Worldwide availability

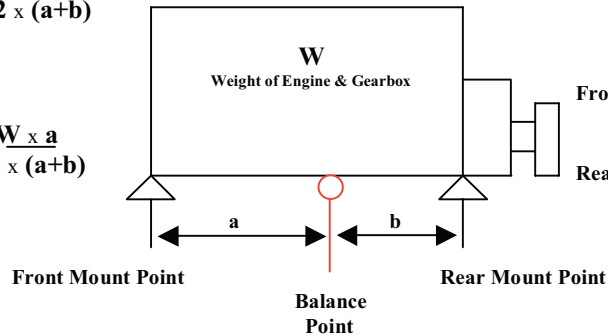
# R & D Marine Engine Mountings

## How to select (details required)

1. Engine type, number of cylinders
2. Type of gearbox and reduction ratio
3. Weight of engine and gearbox combined by weighing or manufacturers literature
4. Is flywheel in conventional place between the engine and gearbox
5. Position of engine mounting points
6. Find centre of gravity by balancing on a roller (if possible)

$$\text{Weight on each front mount} = \frac{W \times b}{2 \times (a+b)}$$

$$\text{Weight on each Rear Mount} = \frac{W \times a}{2 \times (a+b)}$$



Example: Total weight of engine and gearbox = 1200 lbs  
 Distance a (balance point to front mount) = 17 inches  
 Distance b (balance point to rear mount) = 14 inches

$$\text{Front mount} = \frac{1200 \times 14}{2 \times (17 + 14)} = 270 \text{ lbs per front mount}$$

$$\text{Rear Mount} = \frac{1200 \times 17}{2 \times (17 + 14)} = 329 \text{ lbs per rear mount}$$

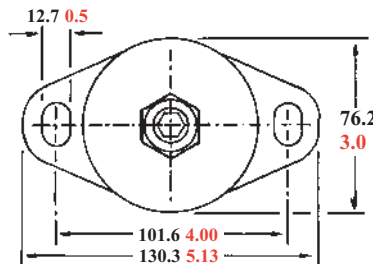
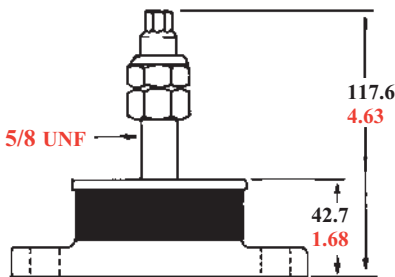
7. If Centre of Gravity cannot be found, assume weight distribution of 60% on rear mounts, with 40% on front mounts. (if rear mount is in line with flywheel).

Type of Engine	Recommended Mounting Type				
	Double Acting	Small Compression	Compression	Small Shear	Medium & Large Shear
2 & 3 Cylinder Long Stroke	800-032, 034, 042	800-036	800-003, 4, 5		
1, 2 & 3 Cylinder Short Stroke High Speed		800-033, 036		800-038, 039 800-040, 041	800-010, 011
4 Cylinder		800-033, 036	800-003, 4, 5		SUPER MOUNTS See page 3
6 Cylinder and More			800-003, 4, 5		SUPER MOUNTS See Page 3 800-015, 016, 017

### Installation Details

Maximum clearance between the underside of the height adjusting nut and top washer must not be more than 10mm. If more height is required use a spacer under the mounting casting. This applies to all mountings in the R & D Marine Range.

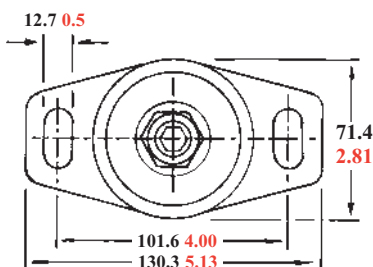
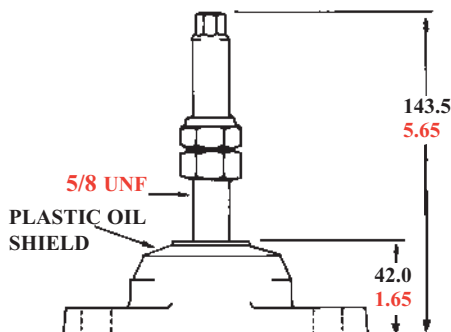
## Compression Mountings



### R & D MARINE COMPRESSION MOUNTING

This is a low height mounting with minimum deflection

Part No	Capacity per mount	
	kg	lbs
800-003	45-82	100-180
800-004	73-168	160-370
800-005	145-227	320-500
Mount Pre-loaded	1.5mm 0.06 inch	
Deflection	2.3mm 0.09 inch	
Height adjusting nut thickness	14mm 0.55 inch	



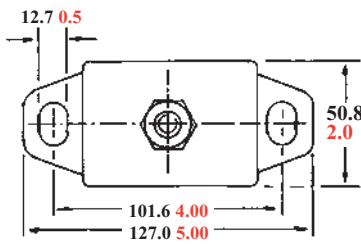
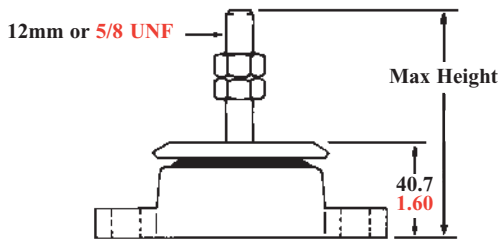
### R & D MARINE COMPRESSION MOUNTING

This mounting is a competitive, low height medium capacity mount giving good engine control

Part No	Capacity per mount	
	kg	lbs
800-033	86	190
800-036	136	300
Deflection	1.65mm 0.065 inch	
Height adjusting nut thickness	14mm 0.55 inch	

# Rectangular Shear Mountings

The R & D Rectangular Shear Mountings offer low height with the best combination of stiffness. Soft vertically and at right angles to the crankshaft to isolate vibration, stiff fore and aft to take the propeller thrust.



## R & D MARINE SMALL SHEAR LOADED MOUNTING

This mounting has a low height giving good vibration isolation

**12mm Stud** **5/8 Stud**

Part No	Capacity per mount	Part No	Capacity per mount
	kg lbs		kg lbs
800-038	14-41 30-90	800-040	14-42 30-91
800-039	32-77 70-170	800-041	32-78 70-171

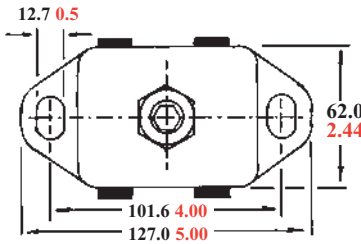
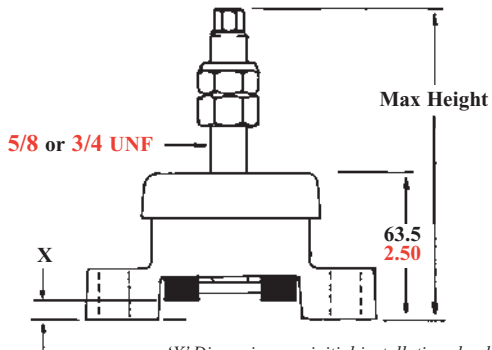
Mount Pre-loaded 1.8mm 0.07 inch

Deflection 1.8-3.4mm 0.07-0.14 inch

Height adjusting

nut thickness : 10mm 0.39 inch | 14mm 0.55 inch

Maximum height: 99mm 3.9 inch | 116mm 4.57 inch



## R & D MARINE SHEAR LOADED "SUPER MOUNTS"

Fitted with an oil shield to protect the rubber

**5/8 Stud** **3/4 Stud**

Part No	Capacity per mount	Part No	Capacity per mount
	kg lbs		kg lbs
800-037	23-80 50-175	800-020	36-106 80-231
800-010	36-105 80-230	800-021	55-187 120-411
800-011	55-186 120-410	800-022	114-256 250-561
800-012	114-255 250-560	800-023	136-310 300-681
800-014	136-309 300-680		

Mount Pre-loaded 2.3mm 0.09 inch

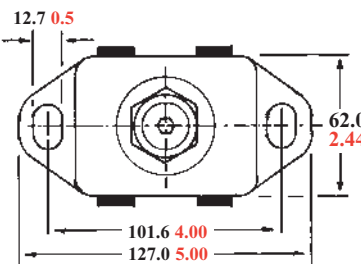
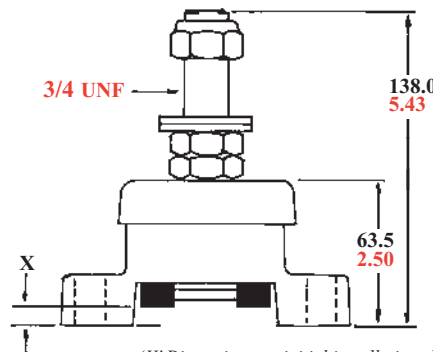
Deflection 2.3-5.4mm 0.09-0.21 inch

Height adjusting

nut thickness : 14mm 0.55 inch | 11mm 0.43 inch

Maximum height: 137mm 5.38 inch | 165mm 6.5 inch

'X' Dimensions on initial installation should not be less 3.8mm 0.15 inch



## R & D MARINE SHEAR LOADED "SUPER MOUNTS"

Fitted with an oil shield to protect the rubber

**3/4 Stud**

Part No	Capacity per mount
	kg lbs
800-051	36-108 80-235
800-052	55-187 120-415
800-053	114-257 250-565
800-054	136-311 300-685

Mount Pre-loaded 2.3mm 0.09 inch

Deflection 2.3-5.4mm 0.09-0.21 inch

Height adjusting double nut and washer thickness

25mm 0.97 inch

'X' Dimensions on initial installation should not be less 3.8mm 0.15 inch

## R & D MARINE SHEAR LOADED "SUPER MOUNTS"

Fitted with an oil shield to protect the rubber

**5/8 Stud** **3/4 Stud**

Part No	Capacity per mount	Part No	Capacity per mount
	kg lbs		kg lbs
800-062	23-81 50-176	800-028	36-107 80-233
800-024	36-106 80-232	800-029	55-188 120-413
800-025	55-187 120-412	800-030	114-257 250-563
800-026	114-256 250-562	800-031	136-311 300-683
800-027	136-310 300-682		

Mount Pre-loaded 2.3mm 0.09 inch

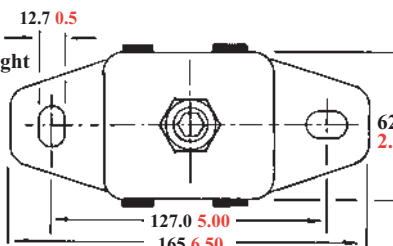
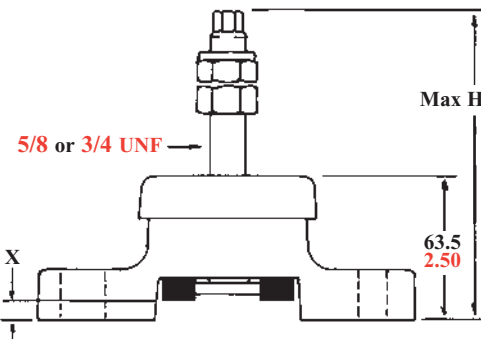
Deflection 2.3-5.4mm 0.09-0.21 inch

Height adjusting

nut thickness: 14mm 0.55 inch | 11mm 0.43 inch

Maximum height: 137mm 5.38 inch | 165mm 6.5 inch

'X' Dimensions on initial installation should not be less 3.8mm 0.15 inch



## R & D MARINE SHEAR LOADED "SUPER MOUNTS"

Fitted with an oil shield to protect the rubber

**5/8 Stud** **3/4 Stud**

Part No	Capacity per mount	Part No	Capacity per mount
	kg lbs		kg lbs
800-013	155-345 340-760	800-035	155-346 340-761

Mount Pre-loaded 2.3mm 0.09 inch

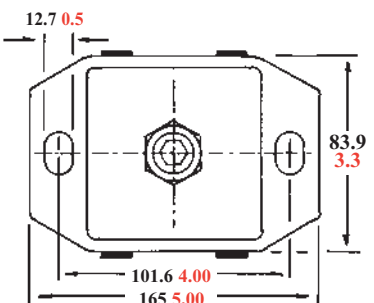
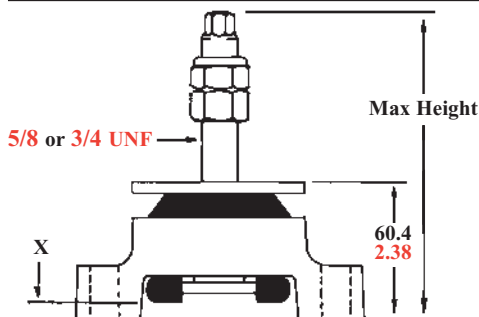
Deflection 2.3-4.8mm 0.09-0.19 inch

Height adjusting

nut thickness: 14mm 0.55 inch | 11mm 0.43 inch

Maximum height: 137mm 5.38 inch | 152mm 6.0 inch

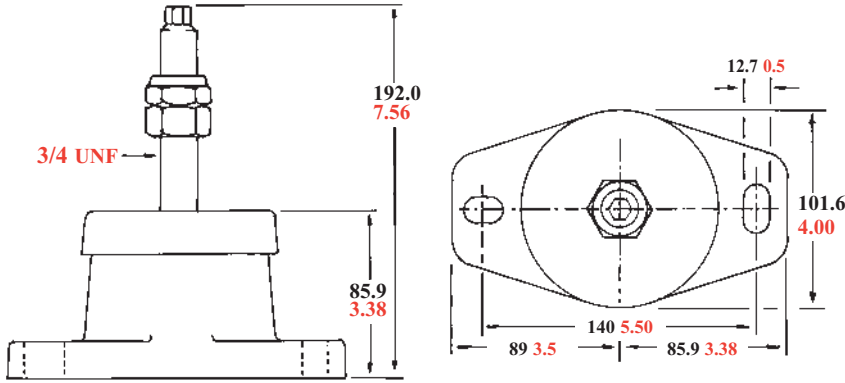
'X' Dimensions on initial installation should not be less 3.8mm 0.15 inch



Units of measurement: Black Millimetres Red Inches

# R & D Marine Engine Mountings

## Circular Shear Mountings

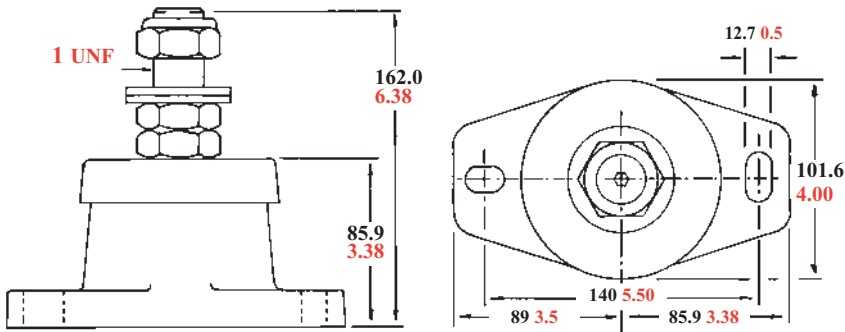


### R & D MARINE HEAVY DUTY CIRCULAR SHEAR MOUNTING

This mounting is designed to give excellent vibration isolation and is fitted with an oil shield to protect the rubber

Part No	3/4 Stud Capacity per mount	
	kg	lbs
800-015	228-546	500-1200
800-016	296-682	650-1500
800-017	400-910	880-2000

Mount Pre-loaded 3mm **0.12 inch**  
 Deflection 3-6.4mm **0.012-0.25 inch**  
 Height adjusting nut thickness 16mm **0.63 inch**



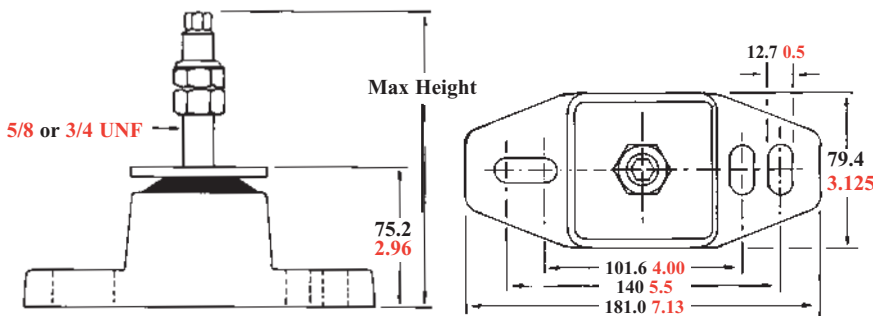
### R & D MARINE HEAVY DUTY CIRCULAR SHEAR MOUNTING

This mounting is designed to give excellent vibration isolation and is fitted with an oil shield to protect the rubber

Part No	1.00 Stud Capacity per mount	
	kg	lbs
800-055	228-546	500-1201
800-056	296-682	650-1501
800-057	400-910	880-2001

Mount Pre-loaded 3mm **0.12 inch**  
 Deflection 3-6.4mm **0.012-0.25 inch**  
 Height adjusting double nut and washer thickness 31.75mm **1.25 inch**

## Double Acting Mounting



### R & D MARINE DOUBLE ACTING SHEAR LOADED MOUNTING

The Double Acting Shear Mount is a unique mounting incorporating 2 rubber elements which are pre-loaded against each other, giving excellent isolation together with good control on problem installations

Part No	5/8 Stud Capacity per mount		3/4 Stud Capacity per mount		
	kg	lbs	kg	lbs	
800-032	46-190	100-420	800-042	73-305	160-671
800-034	73-305	160-670			

Mount Pre-loaded 4.8mm **0.19 inch**  
 Deflection 4.8-7.6mm **0.19-0.30 inch**  
 Height adjusting nut thickness : 14mm **0.55 inch** | 11mm **0.43 inch**  
 Maximum height 153mm **6.0 inch** | 153mm **6.0 inch**

Units of measurement: Black Millimetres Red Inches

# R & D MARINE LTD.

Meadow Works  
 Clothall Road  
 Baldock  
 Hertfordshire  
 England  
 SG7 6PD

Contact Us By:  
 Tel: +44 (0)1462 892391  
 Fax: +44 (0)1462 896448  
 Web Site: [www.randdmarine.com](http://www.randdmarine.com)  
 E mail: [info@randdmarine.com](mailto:info@randdmarine.com)