

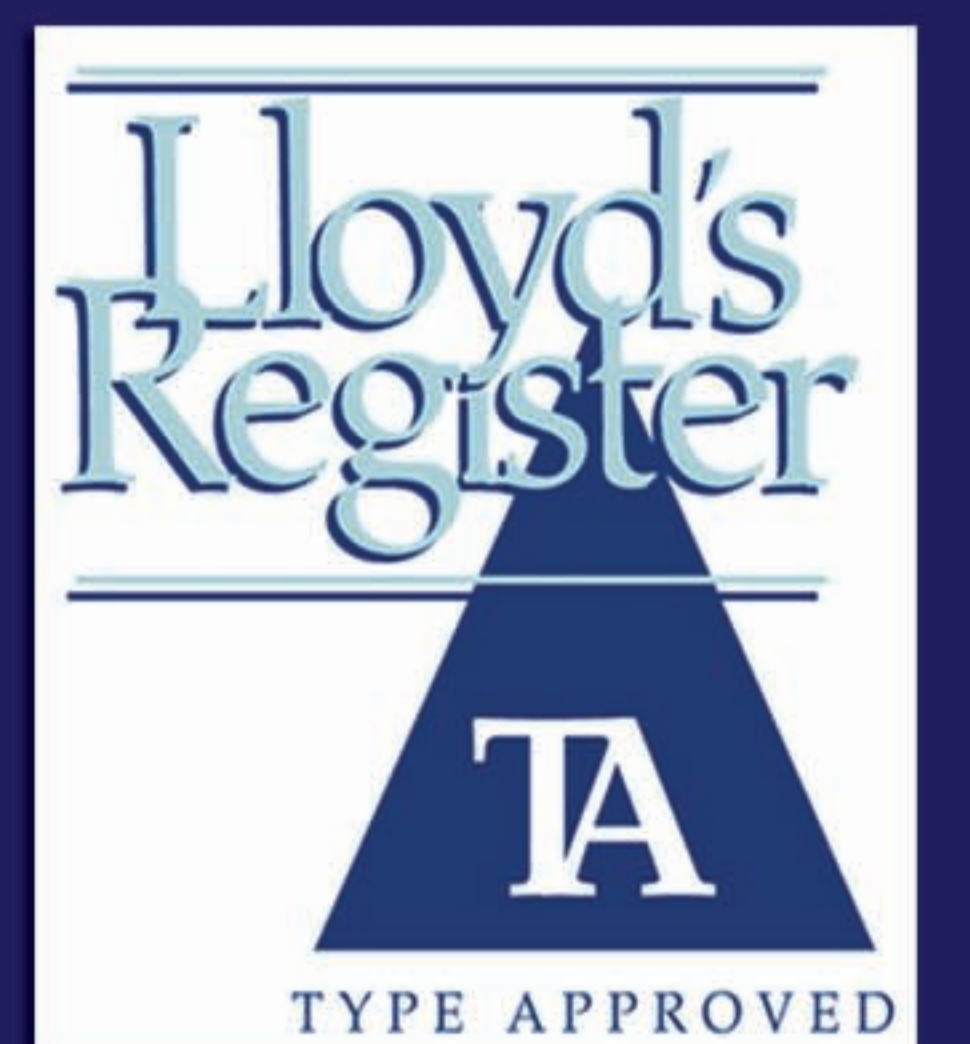


WavestreamTM



Bilge Water Polishing Filters

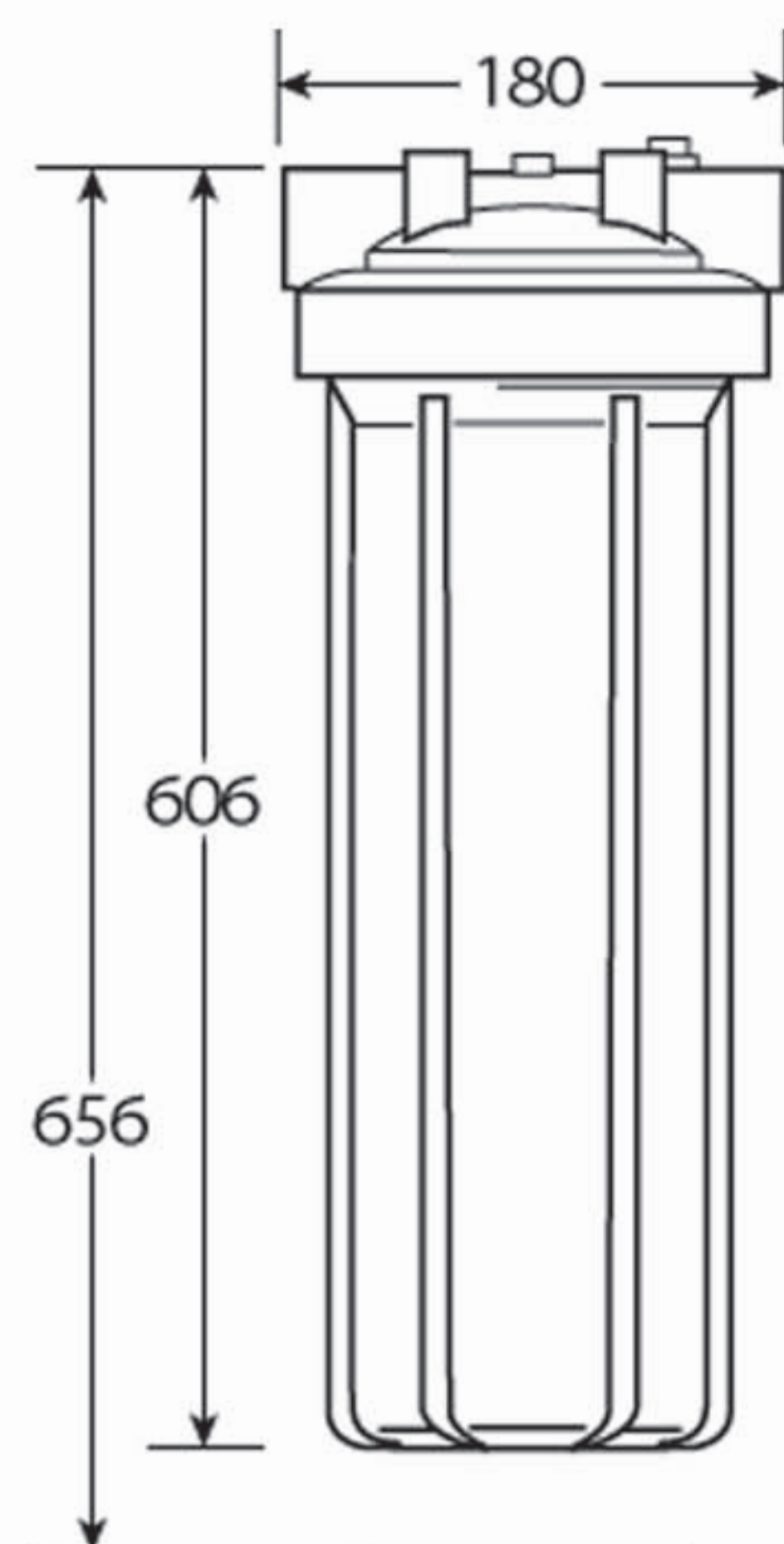
*Effective control of bilge water
separator discharge*



Wavestream Specifications

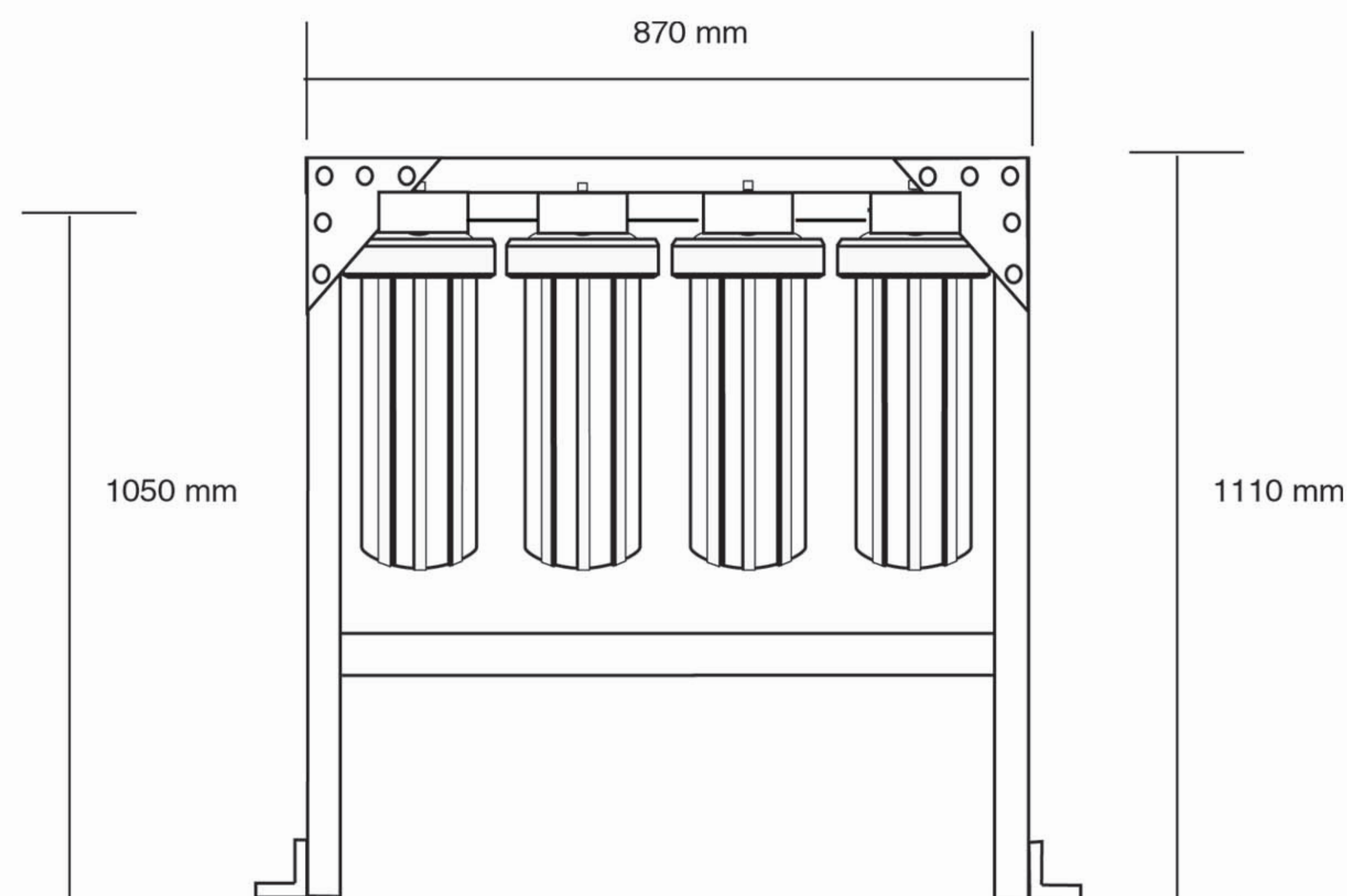
Wavestream System 3

Flow rate	1-15 M ³ /hr.
Max. pressure	6.2 bar
Max. temperature	37 deg. C
Min. temperature	1 deg. C
Connection	1 1/2" BSP
Cartridge part #	WS-C3



Wavestream System 3 4STAND

Flow rate	1-60 M ³ /hr.
Max. pressure	6.2 bar
Max. temperature	37 deg. C
Min. temperature	1 deg. C
Connection	1 1/2" BSP
Cartridge part #	WS-C3



Stainless Steel Systems

Single and multiple cartridge housings and bespoke systems available.

Further information on request.



Wavestream Bilge Water Polishing Systems

**Lloyds Type Approved,
efficient, effective and
low cost**

Your local Wavestream stockist:



Wave International Limited,
Axholme House, Newton Way, Colsterworth,
Grantham. NG33 5NP United Kingdom.

Tel.: +44 (0)870 730 2000

Fax.: +44 (0)870 730 2020

email: info@waveinternational.co.uk

web: www.wavestream.co.uk

Wavestream is a Wave International Limited Registered Trademark

Wave International Limited
Company reg. no. 4073589

www.wavestream.co.uk

