

# SOUND SIGNALS

## SERIES 83

USCG



A-23

### Diaphragm style automotive sounding horn

Easy to mount onboard any boat

#### Application

Small design allows for mounting in various locations. Vessels < 12 m / 39 ft.

#### Housing

Polycarbonate. Combines high quality sound with the same style cover that has become the industry standard. This cover is permanently attached to the horn for greater strength and easier installation. The cover utilizes an internal stainless steel screen and a Gortex™ membrane. The screen protects the horn when washing your boat with a boat brush, and the membrane keeps the water out. Optional stainless steel cover available.

#### Certification

The horn has been tested at 111dB, well above the 105db industry requirement. Is available in a high pitch and a low pitch option, or can be used together for a European sound.

#### Colors

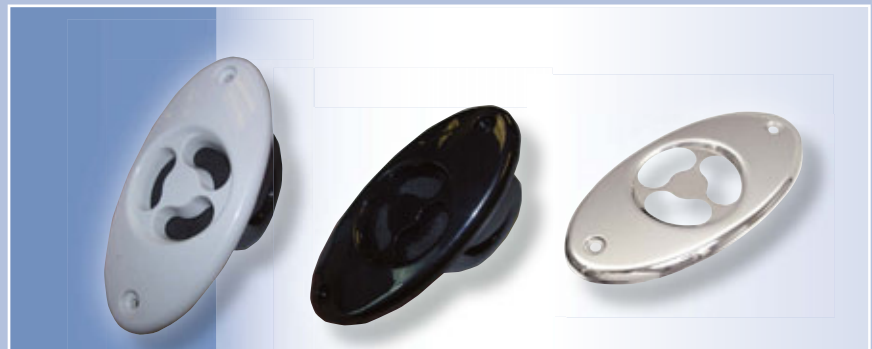
Black or white, stainless steel cover available to match other stainless steel hardware.

#### Mounting

Recessed mount

#### Electric

Male terminal post



Article number	Description	Vessels	Housing color	Voltage	Item weight
83400	Diaphragm style horn, oval, 110 - 112 db	< 12 m / < 39 ft	black	12 V	317 g
83401	Diaphragm style horn, oval, 110 - 112 db	< 12 m / < 39 ft	white	12 V	317 g

#### Sparepart / Extra

84432	Stainless steel cover for oval diaphragm horn		stainless steel		45 g
-------	---	--	-----------------	--	------



Article number	Description	Vessels	Housing color	Voltage	Item weight
83500	Diaphragm style horn, forward facing, 106 - 108 db	< 12 m / < 39 ft	black	12 V	340 g
83501	Diaphragm style horn, forward facing, 106 - 108 db	< 12 m / < 39 ft	white	12 V	340 g

#### Sparepart / Extra

84532	Stainless steel cover for forward facing diaphragm horn		stainless steel		68 g
-------	---	--	-----------------	--	------

# SOUND SIGNALS

## SERIES 84

USCG



A-23

### Electronic Horns - Easy to mount

#### Application

Small design allows for mounting in various locations. Vessels < 12 m / 39 ft.

#### Housing

Polycarbonate with optional stainless steel cover. Openings sealed with Gortex™.

#### Connectors

Easy installation by using a 2 1/4" dia hole saw. Includes mounting hardware and gasket.

#### Electric

Prewired, polarity protected. **1** **3** **4** **5** 2 wire  
**2** 4 wire

#### Colors

Black or white, stainless steel cover available as extra.

#### Mounting

Recessed mount, mounting hardware included

**1**

Article number	Description	Vessels	Housing color	Voltage	Item weight
84100	single electronic horn, 106 - 108 db	< 12 m / < 39 ft	black	12 V	91 g
84101	single electronic horn, 106 - 108 db	< 12 m / < 39 ft	white	12 V	91 g
84132	stainless steel cover for single horn	< 12 m / < 39 ft	stainless steel		23 g

**2**

Article number	Description	Vessels	Housing color	Voltage
84200	dual electronic horn, 106 - 108 db	< 12 m / < 39 ft	black	12 V
84201	dual electronic horn, 106 - 108 db	< 12 m / < 39 ft	white	12 V
84232	stainless steel cover for dual horn	< 12 m / < 39 ft	stainless steel	45 g

**3**

Article number	Description	Vessels	Housing color	Voltage	Item weight
84400	dual oval electronic horn, 106 - 108 db	< 12 m / < 39 ft	black	12 V	181 g
84401	dual oval electronic horn, 106 - 108 db	< 12 m / < 39 ft	white	12 V	181 g
84432	stainless steel cover for oval dual tone horn	< 12 m / < 39 ft	stainless steel		45 g



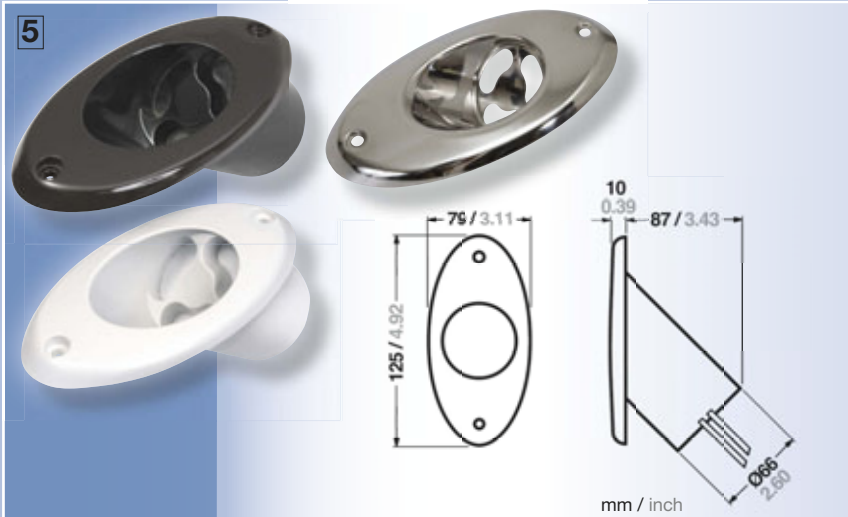
## SERIES 84

4



Article number	Description	Vessels	Housing color	Voltage	Item weight
84300	round dual electronic horn, 106 - 108 db	< 12 m / < 39 ft	black	12 V	159 g
84301	round dual electronic horn, 106 - 108 db	< 12 m / < 39 ft	white	12 V	159 g
84332	stainless steel cover for round dual tone horn	< 12 m / < 39 ft	stainless steel		23 g

5



Article number	Description	Vessels	Housing color	Voltage	Item weight
84500	forward facing dual electronic horn, 110 - 112 db	< 12 m / < 39 ft	black	12 V	204 g
84501	forward facing dual electronic horn, 110 - 112 db	< 12 m / < 39 ft	white	12 V	204 g
84532	stainless steel cover for forward facing dual tone horn	< 12 m / < 39 ft	stainless steel		68 g

